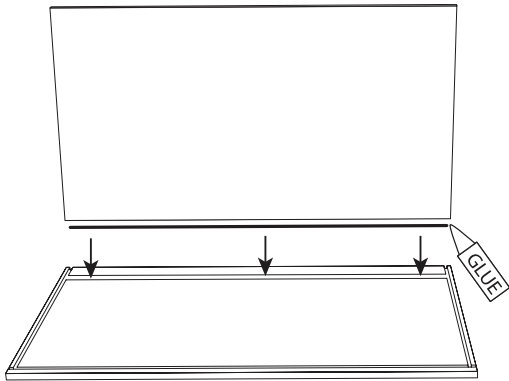


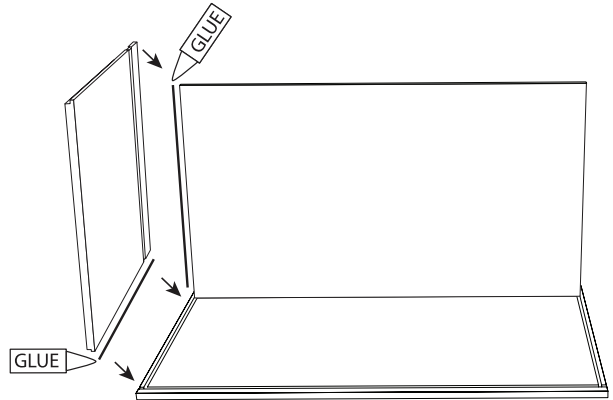
ASSEMBLY INSTRUCTIONS FOR EXTRA LARGE DISPLAY BOX #9047

Use a fast-setting glue or good thick white glue that dries clear. The recessed area at the back can be used to conceal lighting components or as space for landscaping, etc., if a window opening is cut into the back panel.



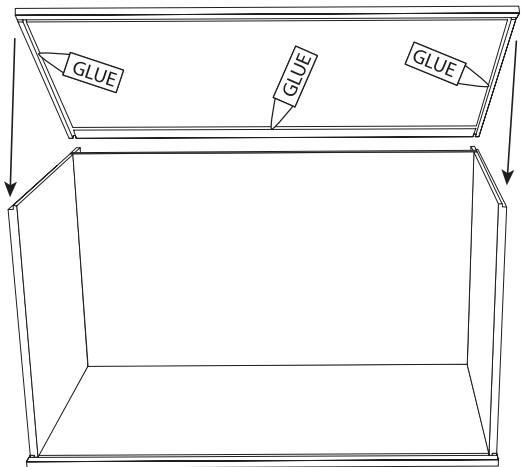
Step 1:

Apply glue along the bottom edge of the back wall and set it into the channel inset in from the back of the base.



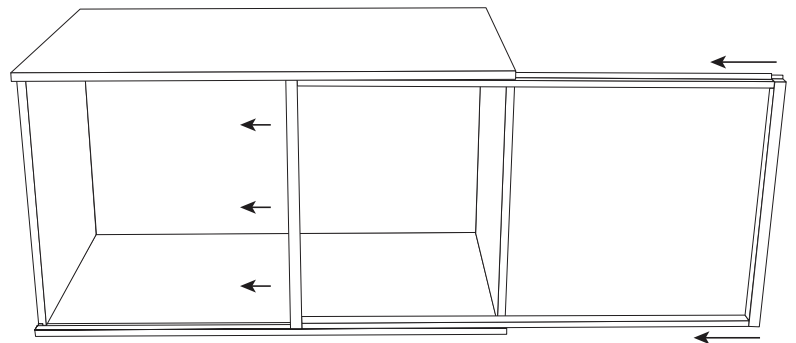
Step 2:

Apply glue along the edge of the back wall and along bottom edge of side wall and set into channel on base and edge of back wall. Repeat on the other side.



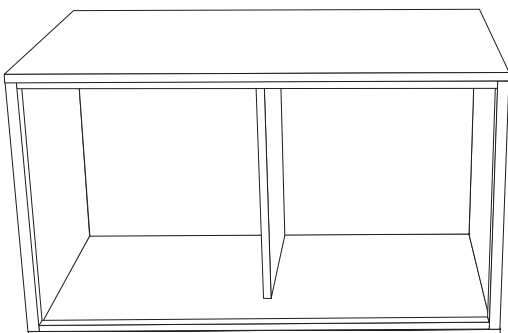
Step 3:

Apply glue inside the channels on back and sides of the top and fit onto the top of the box. DO NOT put glue in front channel of top.



Step 4:

Slide the assembled section with pane from the side into the top and base front grooves. DO NOT GLUE. This panel allows access from the front.



Step 5:

The extra piece of solid MDF with no grooves can be used as a divider to make the box into two rooms.



2388 Pleasantdale Road
Atlanta, GA 30340
800-926-6464